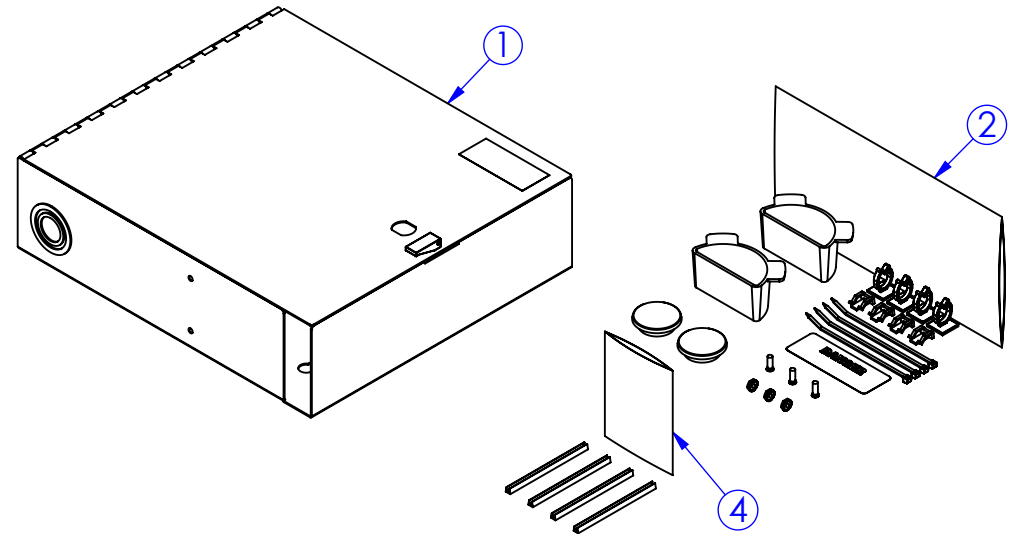
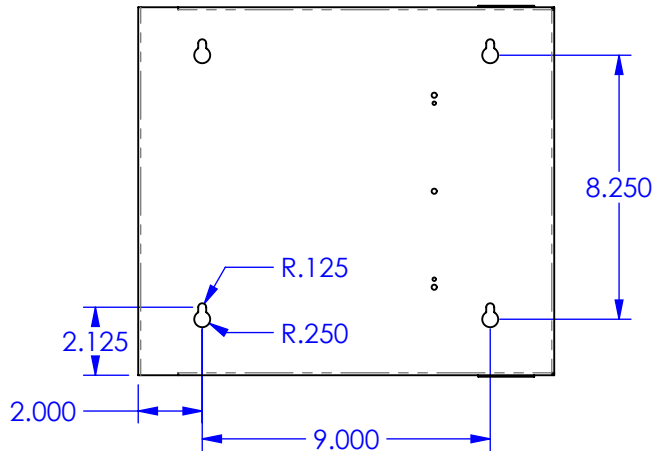


WAC-4X

ITEM NO.	QTY.	PART NO.	DESCRIPTION
1	1	745-253-20	FWM-4X BK MULTILITE SUB ASSY W/ LIGHTWAVE LOGO
2	1	10-7852	KIT, CABLE MANAGEMENT
3	1	42135	FF-WM-024 PLAIN CARTON W/4 INSERTS (17296/17298)
4	1	072-136-10	KIT, 3.437" EDGE PROTECTORS
5	1	965-018-10	KNOCKOUT INSTALLATION MANUAL

REV	ECN#	DESCRIPTION OF CHANGE	DATE	BY	MFG ENG
01	N/A	INITIAL RELEASE	08/26/09	SAB	
01	N/A	UPDATED PACKAGING NOTES	10/28/09	JR	
02	2405	ADDED KNOCKOUTS & EDGE GUARDS	6/14/11	TT	

MOUNTING CONFIG



- NOTES:
1. PLACE ITEM #2, #4 AND #5 INSIDE OF ITEM #1.
 2. PLACE ITEM #1 INSIDE OF ITEM #3.
 3. CLOSE ITEM #3 AND TAPE SHUT.
 4. ITEM #3 NOT SHOWN.
 5. ONLY USE CUSTOMER APPROVED LABEL ON CARTON.

UNLESS OTHERWISE SPECIFIED
DIMENSIONS ARE IN INCHES
TOLERANCES ARE:
FRACTIONS DECIMALS ANGLES
±1/32 .XX=±.03 ±1°
.XXX=±.010

ALL FLATS TO BE ±.005

NO SHARP EDGES OR
BURRS ALLOWED

MATERIAL:
SEE B.O.M.

FINISH:
BLACK TEXTURED

DO NOT SCALE DRAWING

DRAWN BY:	DATE:
CHECKED:	DATE:
MFG ENG:	DATE:
QUALITY ENG:	DATE:



LightWave Manufacturing & Services LLC
2111-B Spencer Road | Richmond, VA 23230 | (804) 672-8426
www.lightwavecable.com

SIZE A	DWG. NO. WAC-4X	REV. 02
SCALE: 1:3.5	CAD FILE:	SHEET 1